

# EYESAVER<sup>®</sup> EYEWASH + FAUCET



# EYESAVER EYEWASH + FAUCET

The Eyesaver SEF-1800-CA-TW features a unique design that combines a dual aerated eyewash with an independently operated faucet. Its space-saving frame features two internal water supplies that allow users to operate the eyewash independently or simultaneously. It also requires just one plumbing supply for installation.

The included thermostatic mixing valve ensures tepid water is always delivered to the eyes. Plus, the pull-handle activation is incredibly intuitive and provides hands free operation.



## EYEWASH FEATURES

- Comfortable, aerated sprays.
- Intuitive pull activation.
- ANSI/ISEA Z358.1 Certified.
- 2.8 GPM at 30 psi.

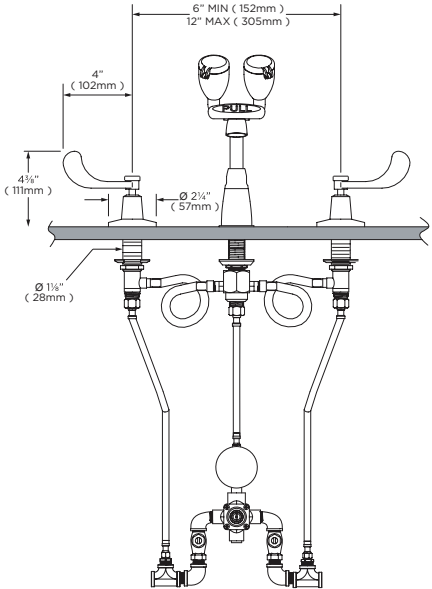


## FAUCET FEATURES

- Wrist blade handles.
- Independently operated.
- Lead-free brass construction.
- 2.2 GPM with additional flow rate options.

## VALVE FEATURES

- 7 GPM flow capacity.
- Durable, solid brass construction.
- ASSE 1071 Certified.
- 5 GPM cold water bypass with automatic hot water shutoff.



SKU	DESCRIPTION	COMPLIANCE
SEF-1800-CA-TW	Eyewash & Faucet Combination with integrated thermostatic valve.	ANSI/ISEA Z358.1 Certified